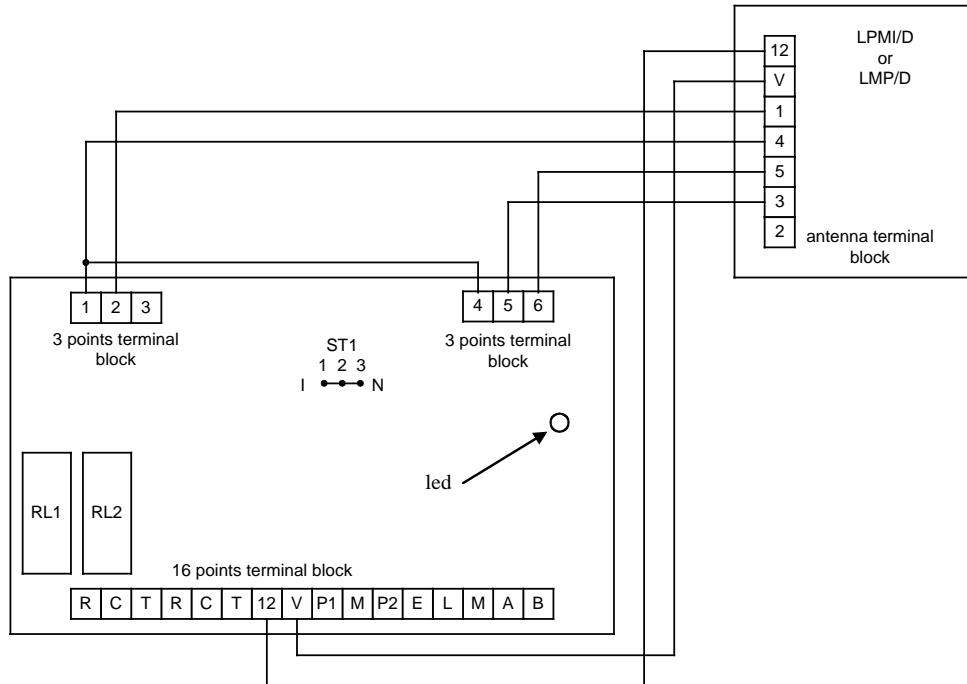


PROXIMITY READER

Extended distance between the reader controller and the antenna
 (50 meters maximum)

LPMD, LPMID, LPMD/E, LPMD/F et LPMID/F

WIRING DIAGRAM



Wiring between the reader controller and the board

12	Input 12V AC or DC
V	Input 12V AC or DC
1	N° 2 of terminal block
2	NC
3	N° 5 of terminal block
4	N° 1 et 4 of terminal block
5	N° 6 of terminal block

Warning

Do not use a switching power supply because of the interference radiation that may disturb the reading of the badges

NOTE :

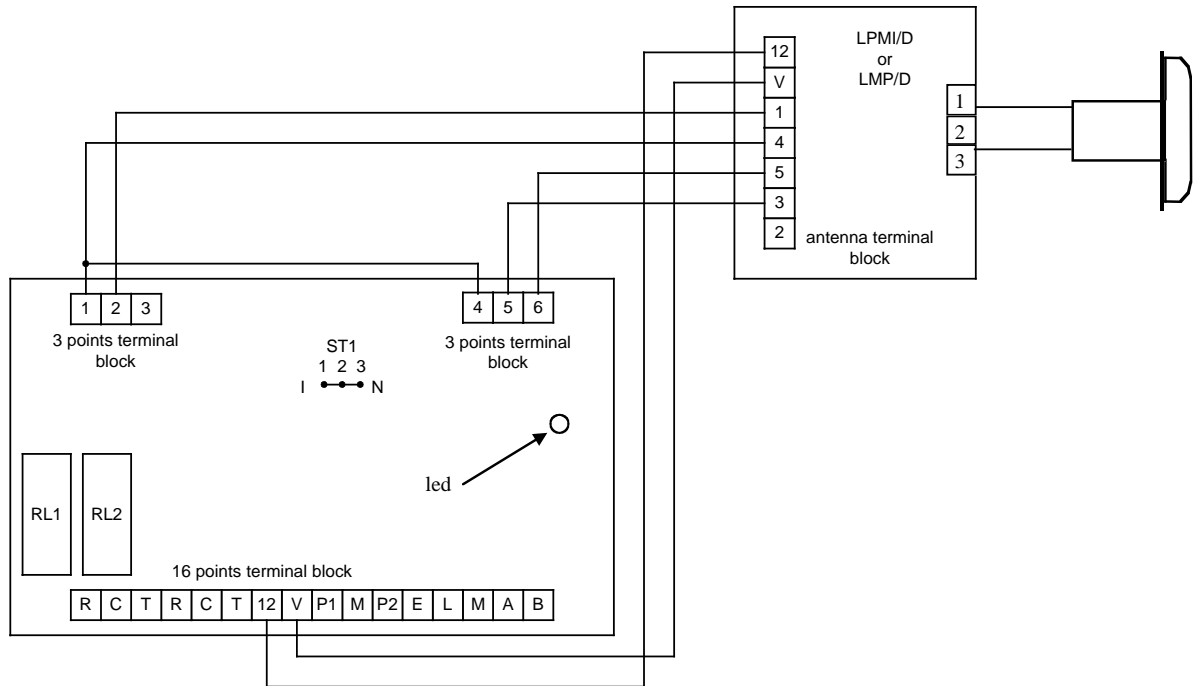
In case of using two proximity readers in/out on the same door, it is recommended to keep a minimum distance of 20 cm between them in any direction. In case the separation is inferior to 20 cm, the two readers must be moved from each other vertically or horizontally.

Recommended cable : 3 pair twisted cable SYT1 9/10

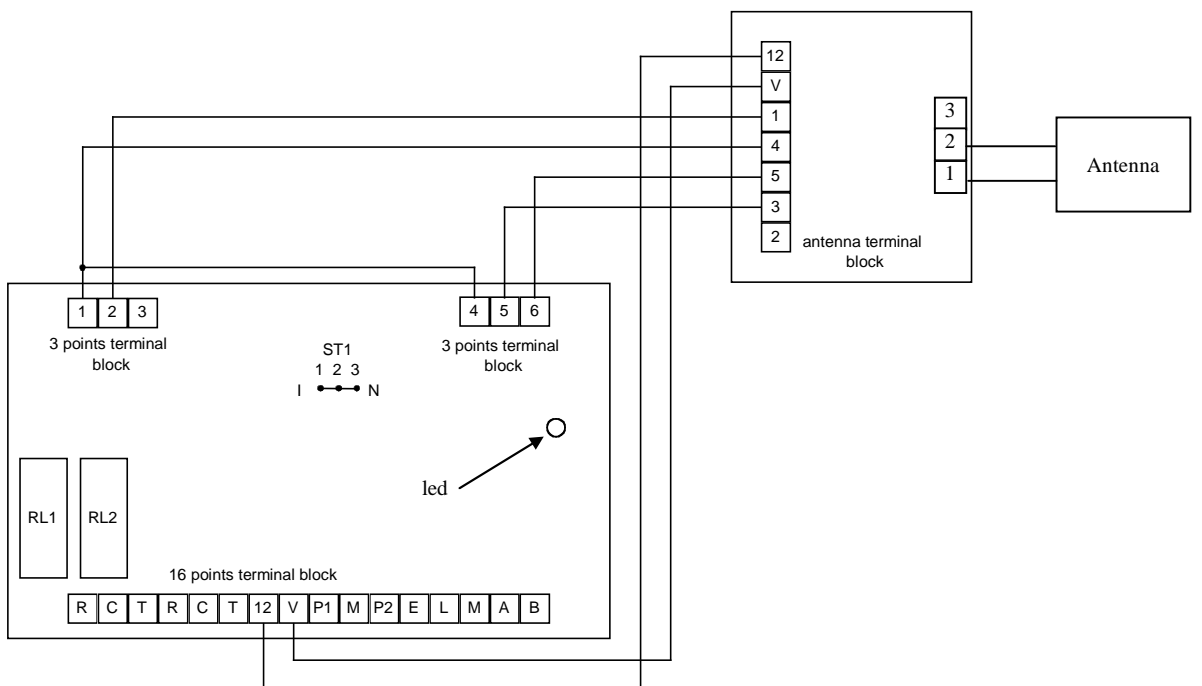
PROXIMITY READER

Extended distance between the reader controller and the antenna
(50 meters maximum)

LPMD/T



LPMD/INT



W I R I N G D I A G R A M